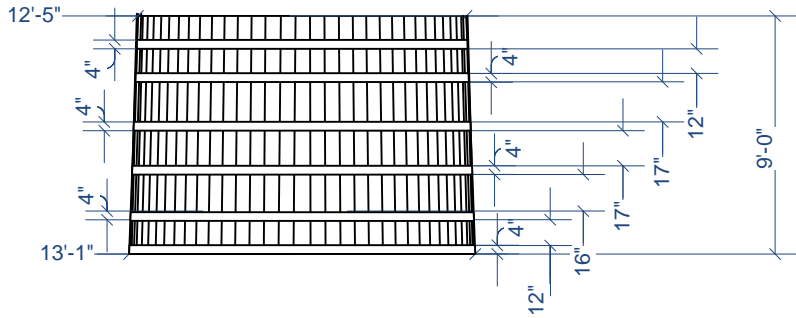
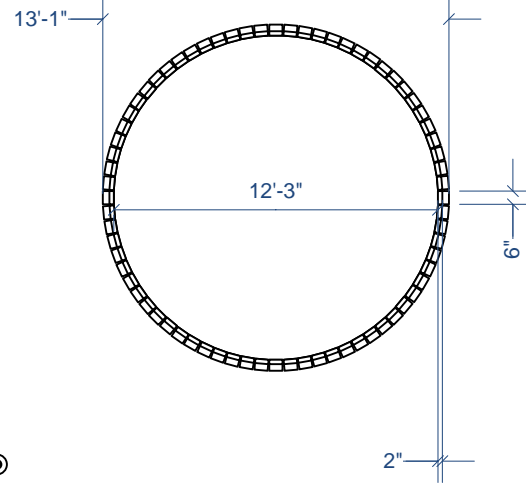


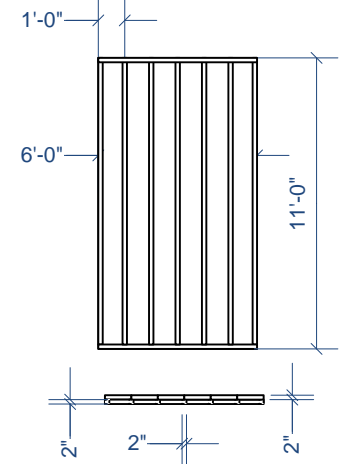
Tank [Side View]



Tank Cross Section/Top View

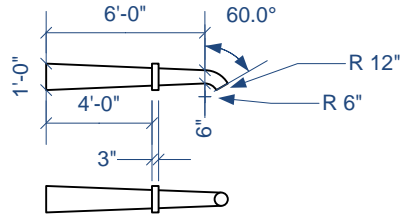


Wainscoting Section (Side)

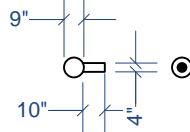


Wainscoting Section (End)

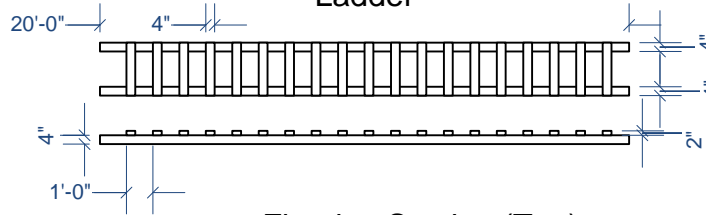
Feeder Pipe



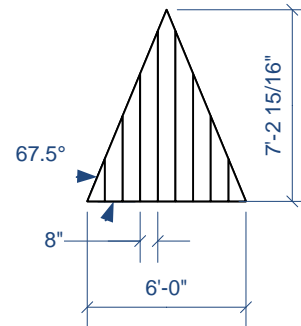
Feeder Pipe Fitting



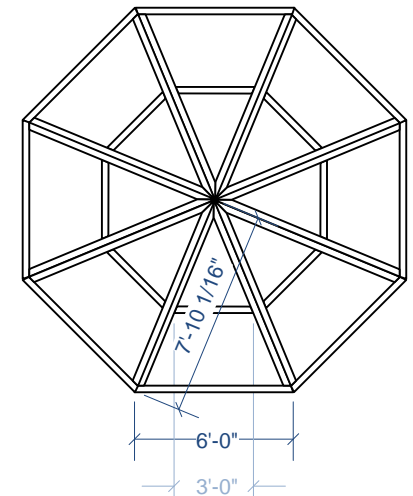
Ladder



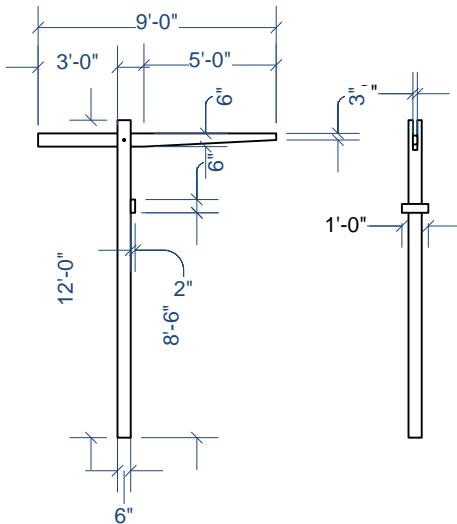
Flooring Section (Top)



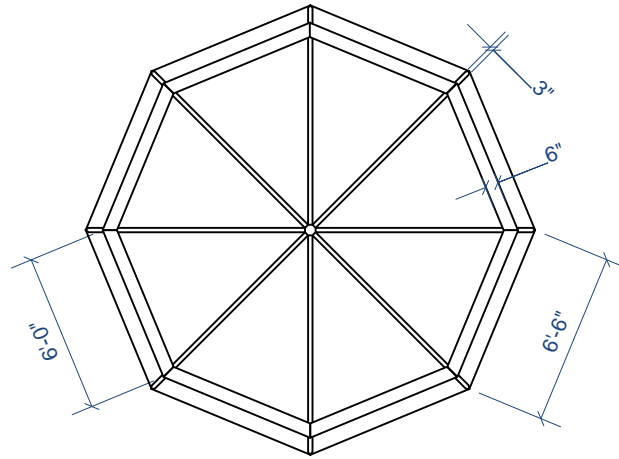
Flooring Frame (Bottom)



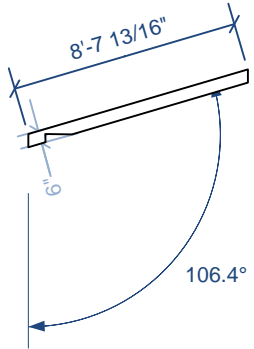
Control Support



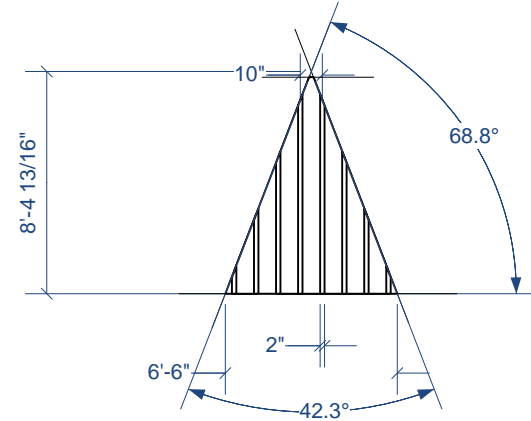
Rafter Assembly (Bottom View)



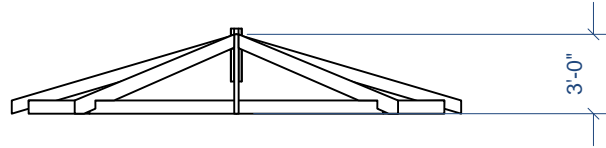
Rafter (Side View)



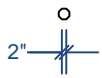
Board and Batten Roof Section (No Door)



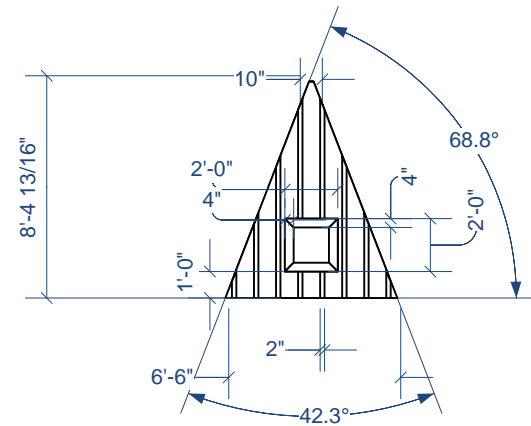
Rafter Assembly (Side View)



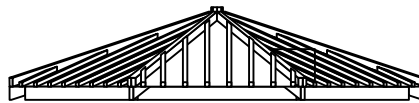
Post (Top View)



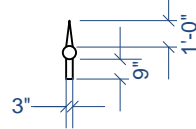
Board and Batten Roof Section (Door)



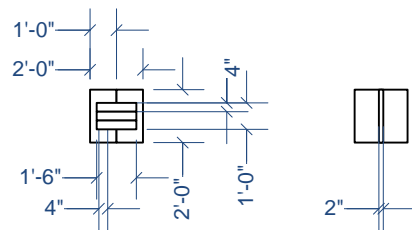
Ridge Caps (Side)



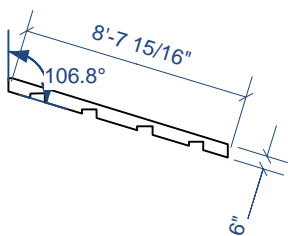
Roof Finial



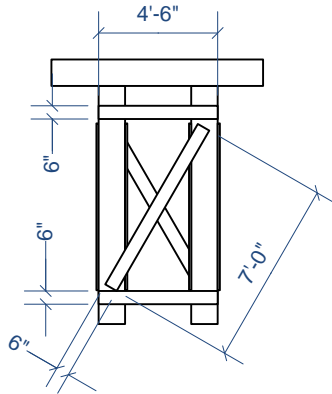
Roof Access Door Bottom View Top View



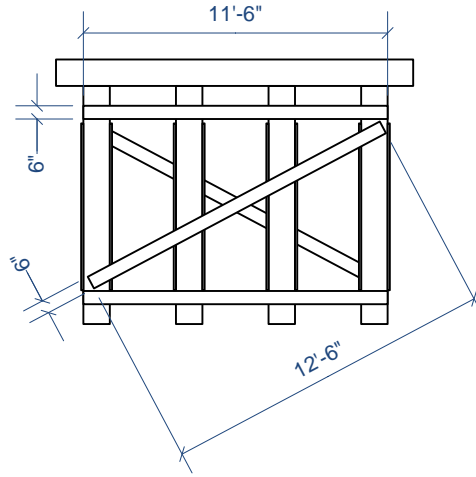
Ridge Cap



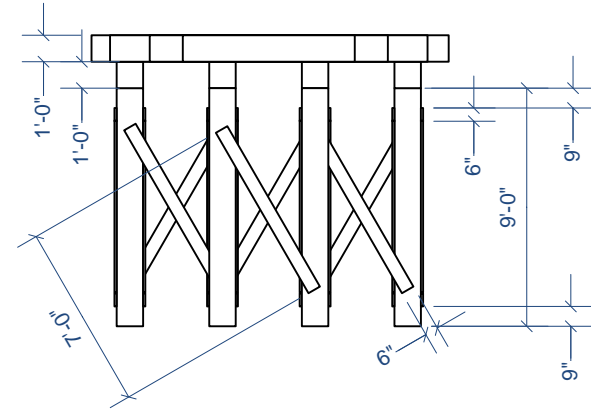
Outside Truss Bracing



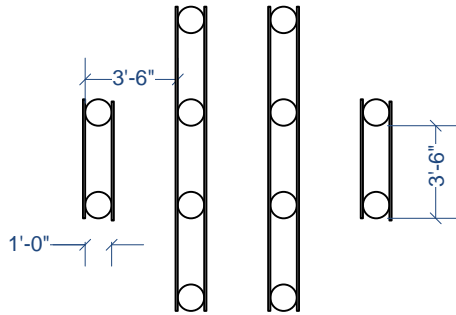
Inside Truss Bracing



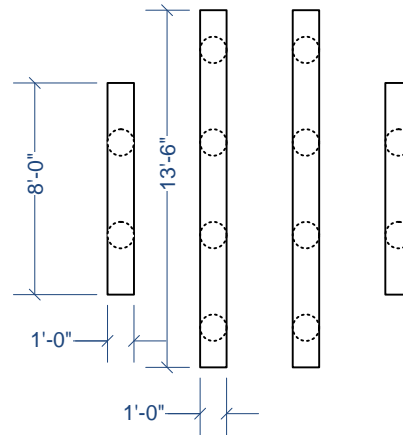
Truss Sway Bracing



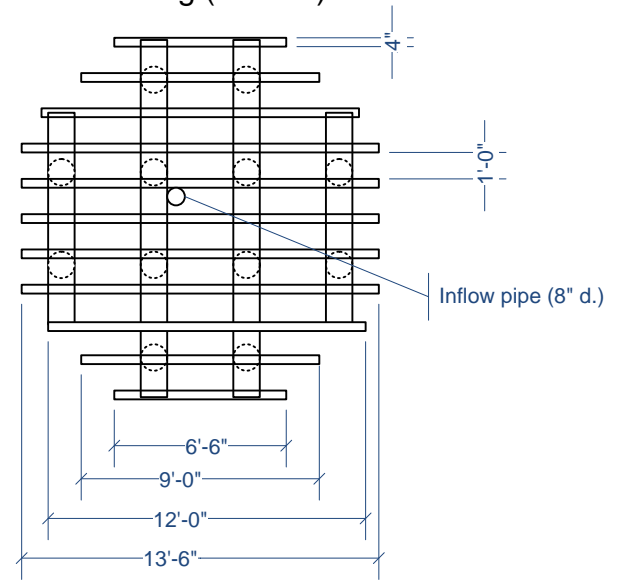
Truss Layout (vertical)

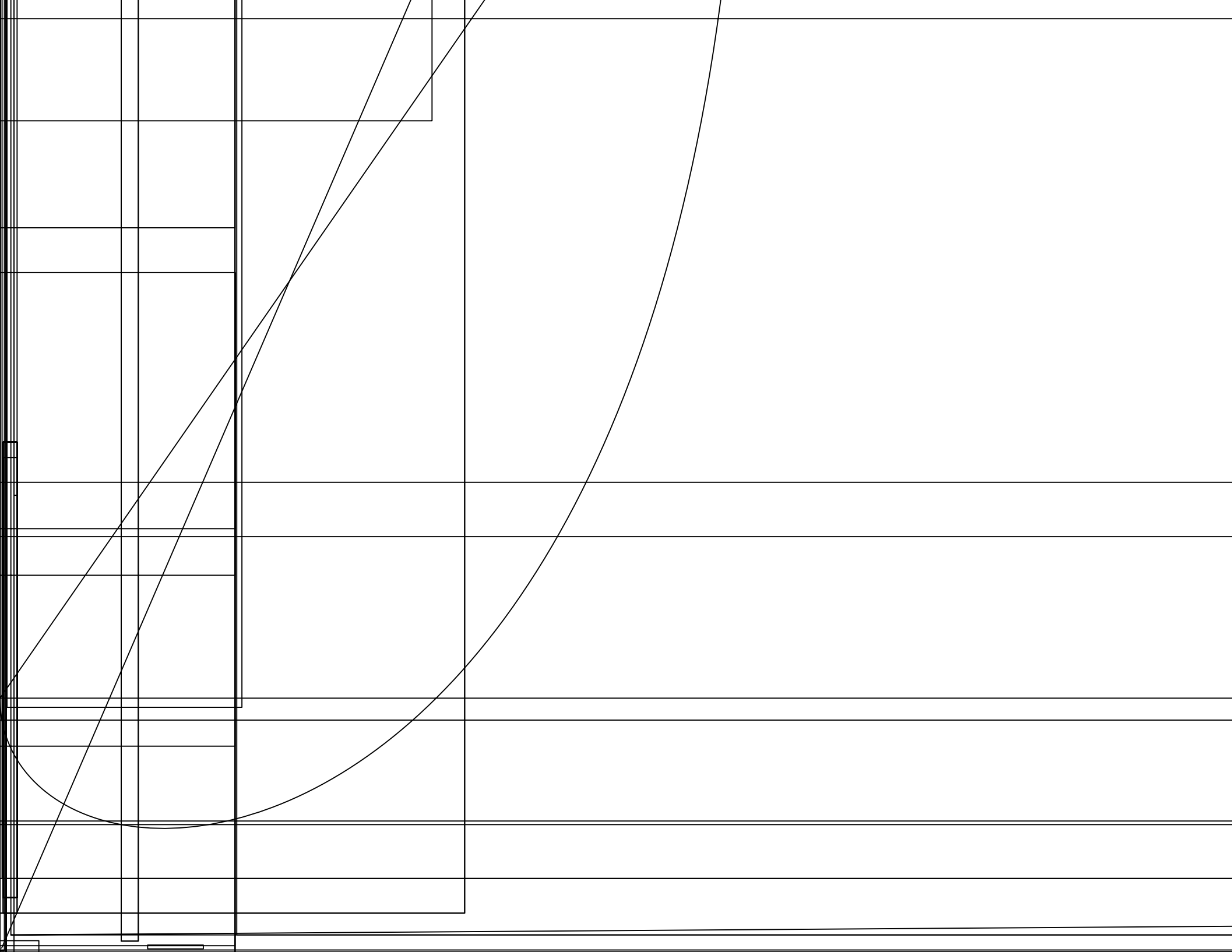


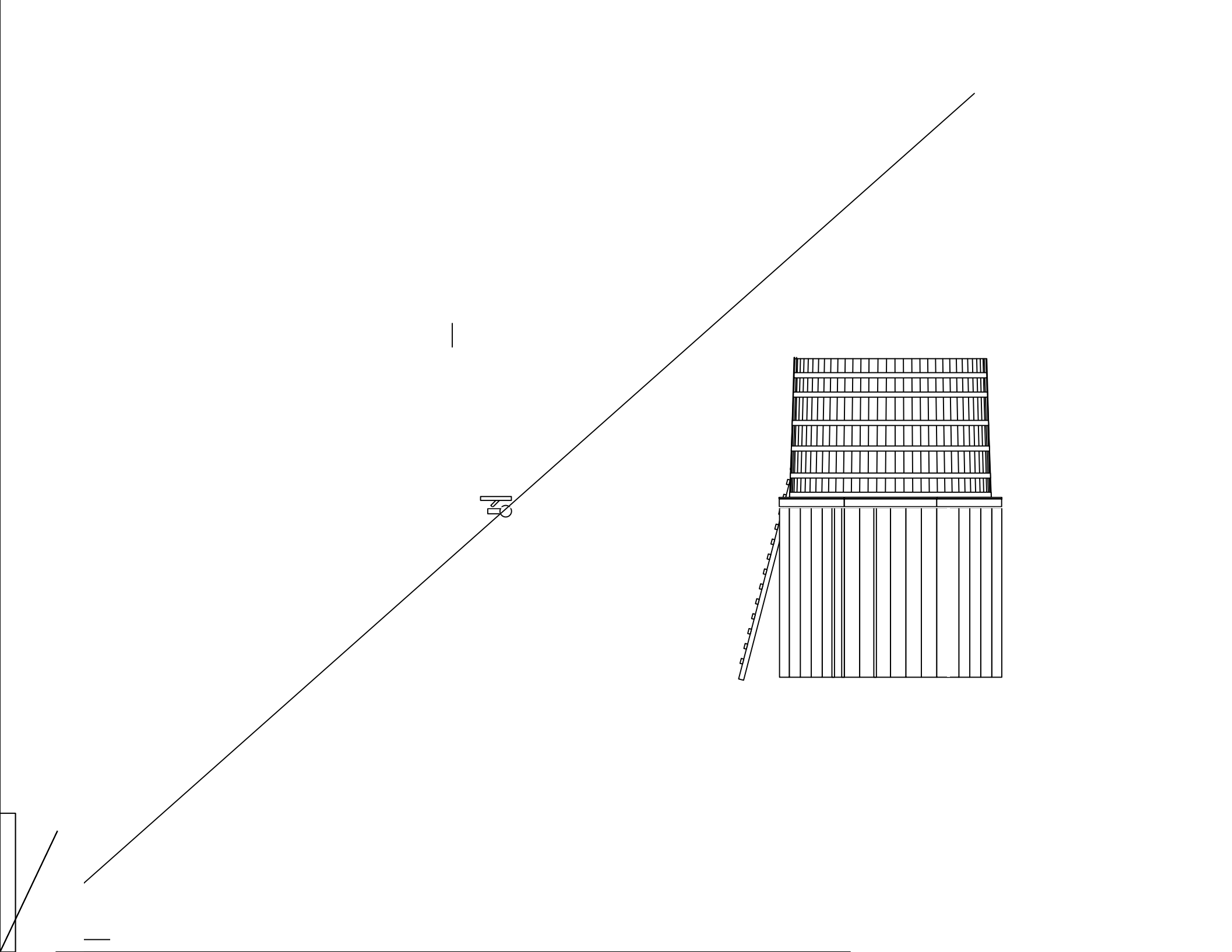
Truss Cap (vertical)

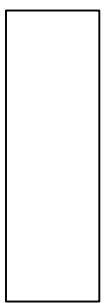
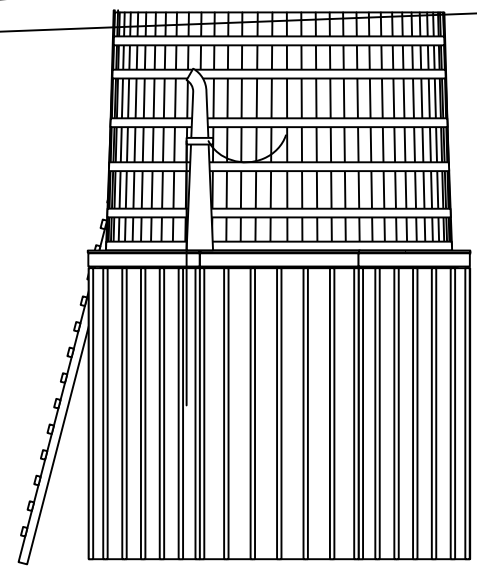
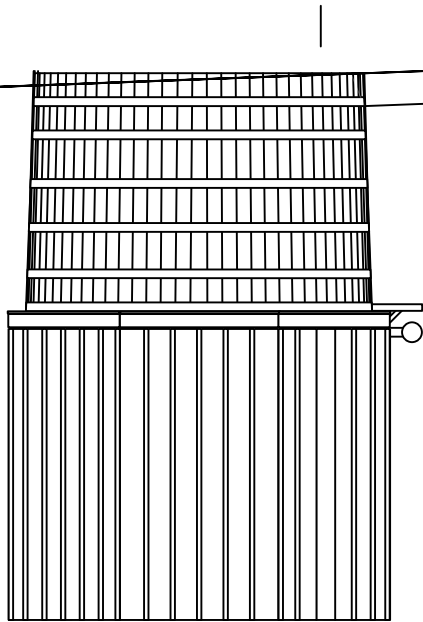
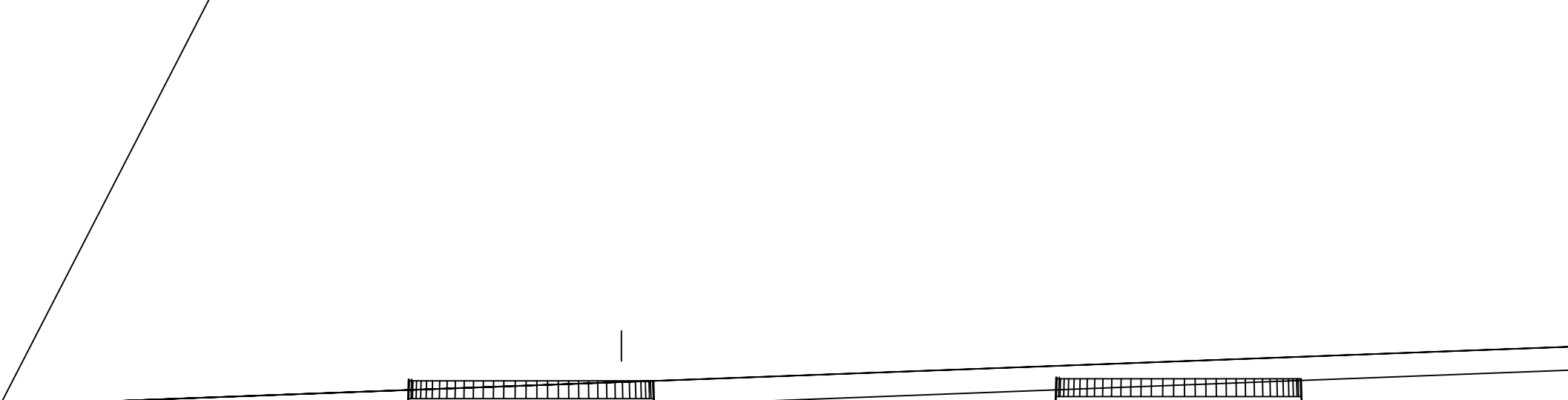


Subflooring (vertical)

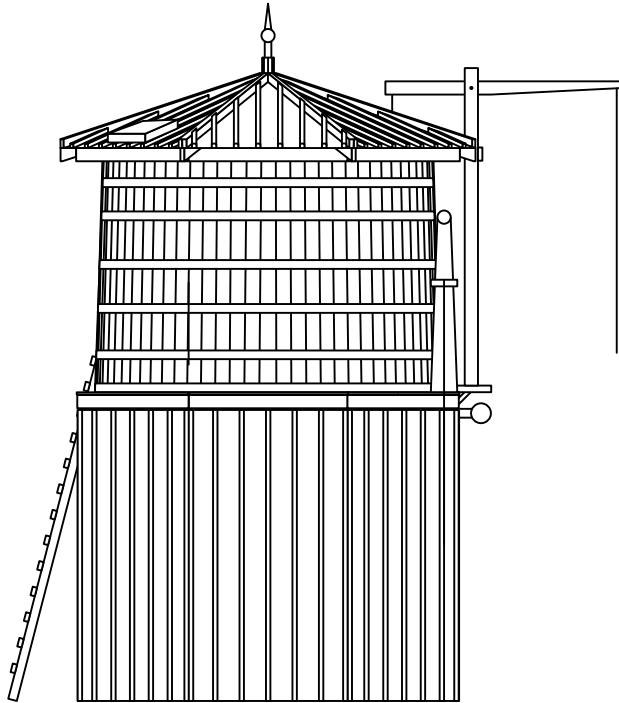








Assembled Tower Side 1



Assembled Tower Side 2

